

ST-10A Hinge

Position control · Constant torque

Features

- Smooth, zero backlash operation
- Space efficient design provides high torque in minimum space
- Constant torque, never needs adjusting

Material

- Zinc alloy and steel, natural

Product Performance

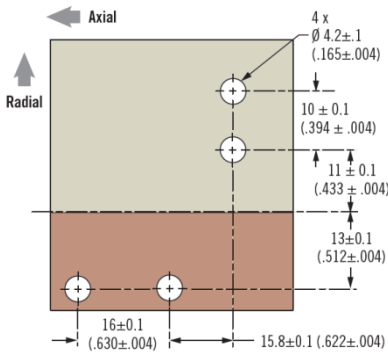
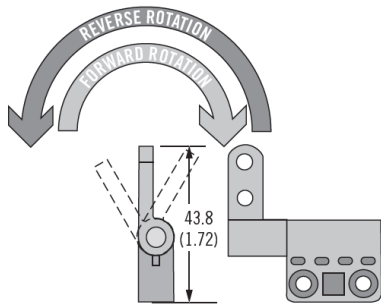
- Cycle performance: 20,000 cycles within $\pm 20\%$ of static torque specification
- Radial load:
 - Maximum static load: 500 N
- Axial load:
 - Maximum static load: 1,000 N

Installation Notes

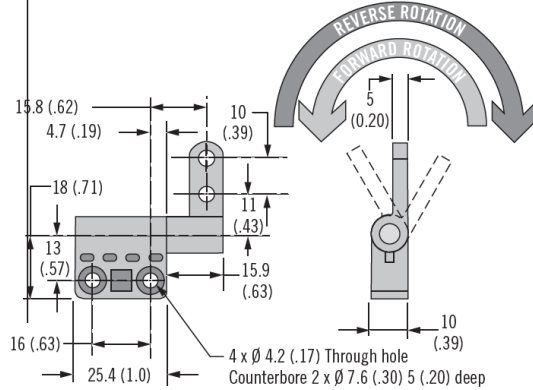
- Install hinge using M4 socket head cap screw
- For proper function, assembly must include one type A and one type B hinge



Type A



Type B



Symmetric Torque Versions		
Part Number		Static Torque (Forward and Reverse) N·m (in·lbf)
Type A	Type B	
ST-10A-80SA-33	ST-10A-80SB-33	0.90 (8)
ST-10A-120SA-33	ST-10A-120SB-33	1.36 (12)
ST-10A-160SA-33	ST-10A-160SB-33	1.81 (16)
ST-10A-200SA-33	ST-10A-200SB-33	2.26 (20)

Asymmetric Torque Versions			
Part Number		Static Torque N·m (in·lbf)	
Type A	Type B	Forward N·m (in·lbf)	Reverse N·m (in·lbf)
ST-10A-120FA-33	ST-10A-120FB-33	1.36 (12)	0.81 (7.2)
ST-10A-160FA-33	ST-10A-160FB-33	1.81 (16)	1.08 (9.6)
ST-10A-200FA-33	ST-10A-200FB-33	2.26 (20)	1.36 (12)
ST-10A-120RA-33	ST-10A-120RB-33	0.81 (7.2)	1.34 (12)
ST-10A-160RA-33	ST-10A-160RB-33	1.08 (9.6)	1.84 (16)
ST-10A-200RA-33	ST-10A-200RB-33	1.36 (12)	2.26 (20)